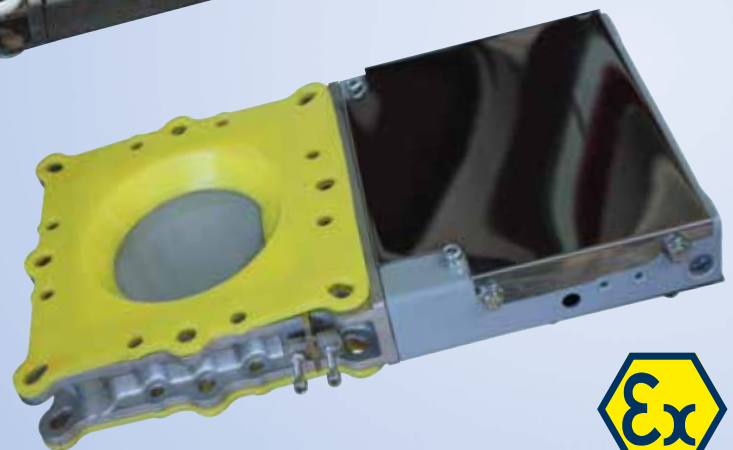


FLOW INTERCEPTION


Low-Profile Slide Gate Valves

VIB



INTERNATIONAL PATENTS PENDING



 **EC 1935/2004-certified**

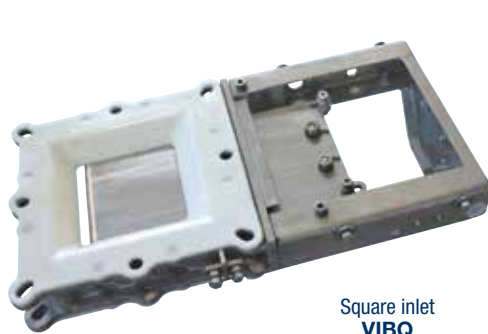
Low-Profile Slide Gate Valves VIB

MAXIMUM EFFICIENCY, MINIMISED RESIDUE, HIGHLY ABRASION-RESISTANT

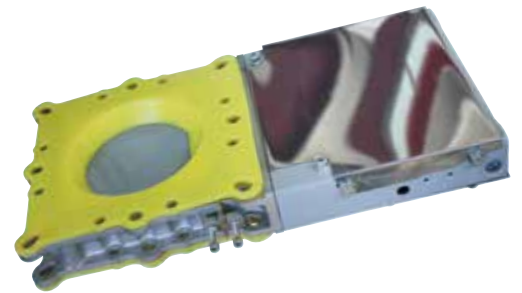
Low-Profile VIB Slide Gate Valves consist of two high pressure die-cast semi-bodies manufactured from aluminium alloy, a sliding blade in mild steel or stainless steel, a mild-steel or stainless-steel frame and a pre-stressed elastomeric gasket manufactured from WAMGROUP®'s unique SINT® engineering polymer composite.

The use of SINT® polymer ensures increased resistance to abrasion as compared to traditional valves. The valves are equipped with live-loaded gaskets which guarantee extended durability and wear resistance, providing excellent sealing across the entire valve surface.

The VIB-type is a gravity flow intercepting Slide Gate Valve for all kinds of powdery or granular materials stored in silos or bins.

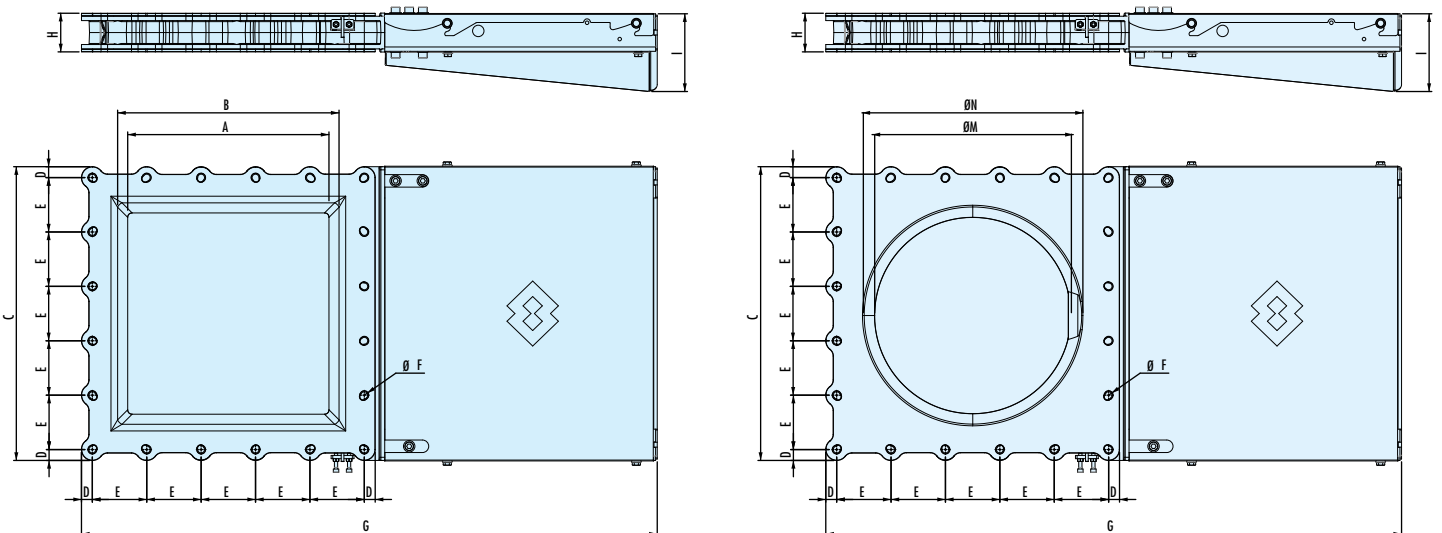


Square inlet
VIBQ



Circular inlet
VIBC

Overall Dimensions



VIB	A	B	Ø M	Ø N	C	D	E	E Nr	Ø F	BOLTS	G	H	I	kg
150 (6")	120	175	130	162	261	15.5	115	2	12.5	M10	510	61	125	10
200 (8")	170	225	180	213	311	15.5	93.3	3	12.5	M10	610	61	122	14
250 (10")	220	275	230	267	361	15.5	110	3	12.5	M10	710	61	122	17
300 (12")	270	325	280	317	438	26.5	128.3	3	12.5	M10	840	61	122	24
350 (14")	320	375	330	377	489	22.0	89	5	12.5	M10	961	71	145	34
400 (16")	370	425	380	427	540	20.0	100	5	12.5	M10	1,058	71	145	41

Compatible with CEMA flanges

Dimensions in mm

Benefits



Problem-free assembly thanks to WAM® and CEMA flange compatibility



No gasket adjustment required



Highly abrasion-resistant due to replaceable SINT® gasket



Easy integration into any process



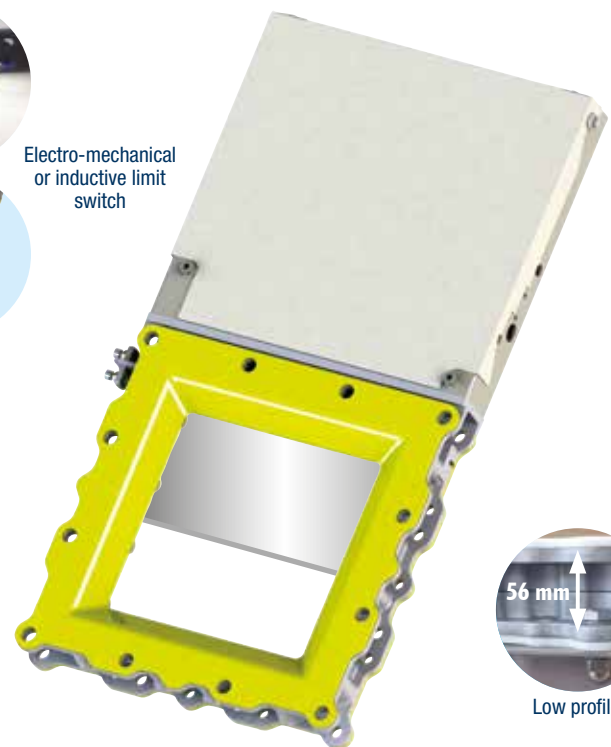
Technical support and worldwide availability of spare parts thanks to the WAMGROUP® subsidiary network

Technical Features

- PATENTED dustproof, friction-free design;
- Compact: few components, minimum overall height;
- Compatible with WAM® and CEMA flanges;
- Wear compensating sealing system;
- Semi-bodies in aluminium alloy;
- Replaceable SINT® engineering polymer gaskets for both standard and food-grade applications;
- ATEX and FOOD certifications.



Electro-mechanical or inductive limit switch



Low profile



Industries



Animal Feed Milling



Plastics Processing



Dry-Mix Processing



Food Processing



Flour Milling



Cosmetics



Detergents Processing



Chemicals



Ceramics



Glass Processing

Application



ACTUATOR COMPATIBILITY

For further details refer to Technical Catalogue



203001753 April 2021 Rights reserved to modify technical specifications.

This brochure has been edited for distribution in European Union countries.



www.wamgroup.com