

# Mini Screw Screens WASTEMASTER CT - CTC



## THE LIGHTEST SCREW SCREEN

The WASTEMASTER CT Screw Screen consists of a tubular screen equipped with a screw in SINT® engineering polymer. WASTEMASTER CT is an inclined screw screen suitable for small flow rates in pit application. Due to its steep installation angle the WASTEMASTER CT Mini-Screw Screen can be fitted in small pits or in any application in which very low flow rates of waste water have to be handled. Examples are small industrial applications, hotels, resorts, car washes, etc.

An interesting application is for mechanical pre-treatment in small container waste water plants, via direct feeding through a submersible pump or directly flanged to the sewage pipe. Generally WASTEMASTER CT Mini-Screw Screen is suitable for applications with low flow rates in confined spaces.

### Technical Features

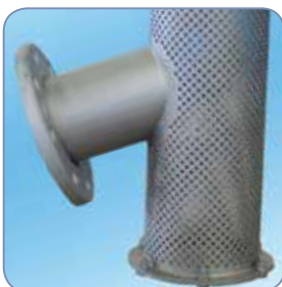
- All fabricated parts in 304L / 316L stainless steel
- Anti-wear SINT® engineering polymer screw
- Screens in different mesh sizes (2 or 5 mm)
- For municipal and industrial solids-liquid separation of effluents



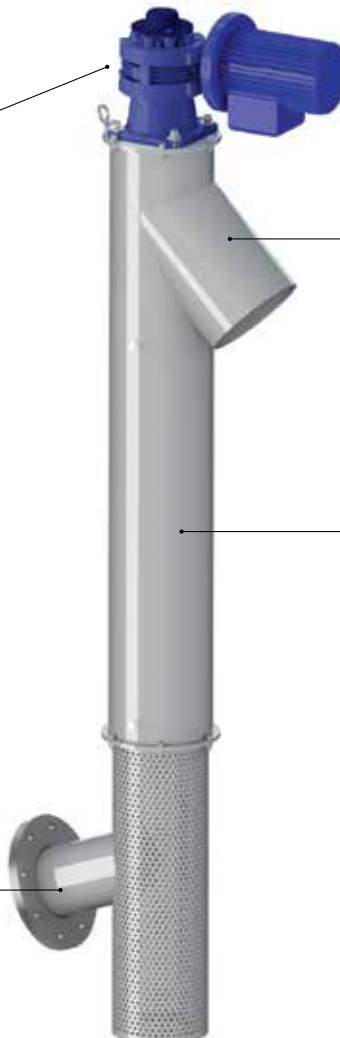
Gear Motor



Outlet Spout



Inlet spout and screen basket



Anti-wear SINT® engineering polymer screw

MODEL	FLOW RATE (2mm) [l/s]	FLOW RATE (5mm) [l/s]	SOLIDS EXTRACTION [dm <sup>3</sup> /s]
CT	5	10	0.11

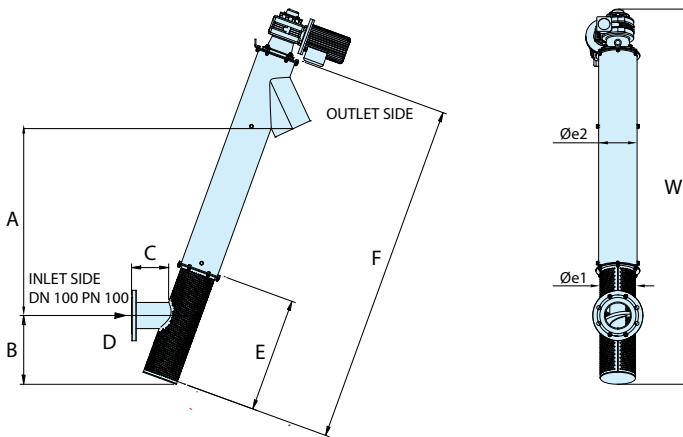
Note: Values related to clean water

## Benefits

- ✓ **Lightweight design;**
- ✓ **High extraction efficiency;**
- ✓ **No brushes;**
- ✓ **Easy installation;**
- ✓ **No internal bearings;**
- ✓ **Low investment and maintenance costs.**

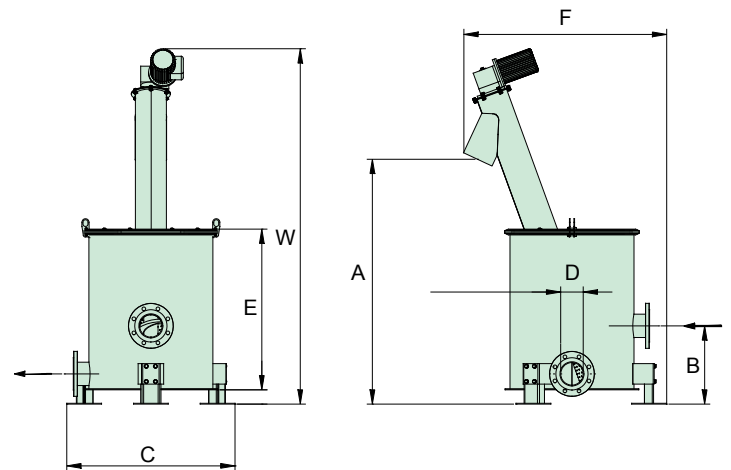
## Overall Dimensions

CT



Dimensions									
A	B	C	D	E	F	W	Øe1	Øe2	
815	300	162	110	500	1,500	1,638	168	156	

CTC



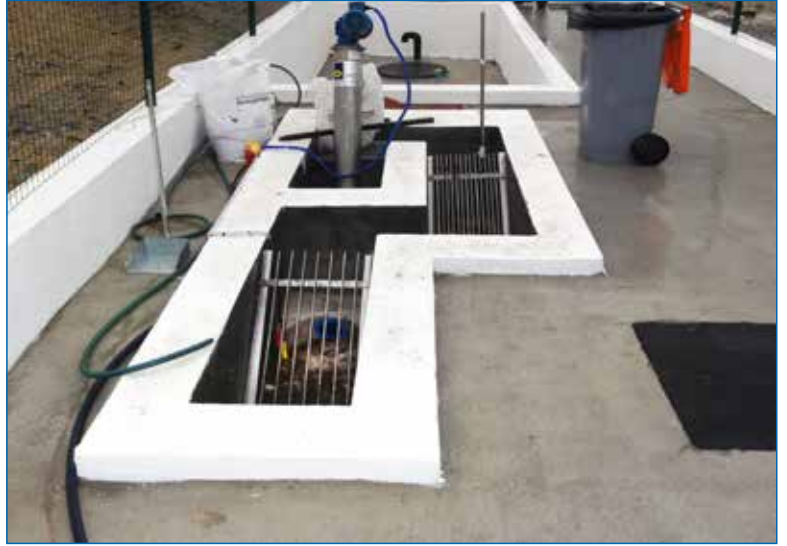
Dimensions									
A	B	C	D	E	F	W	Øe1	Øe2	
1,200	385	825	DN 100	785	995	1,740	168	156	

Dimensions in mm

## Accessories

- Quick coupling (only for CT)

# Applications



203001332 April 2018 Rights reserved to modify technical specifications.



This brochure has been edited for distribution in European Union countries



**SAVECO**<sup>TM</sup>  
Member of WAMGROUP<sup>®</sup>



[www.saveco-water.com](http://www.saveco-water.com)